

Features

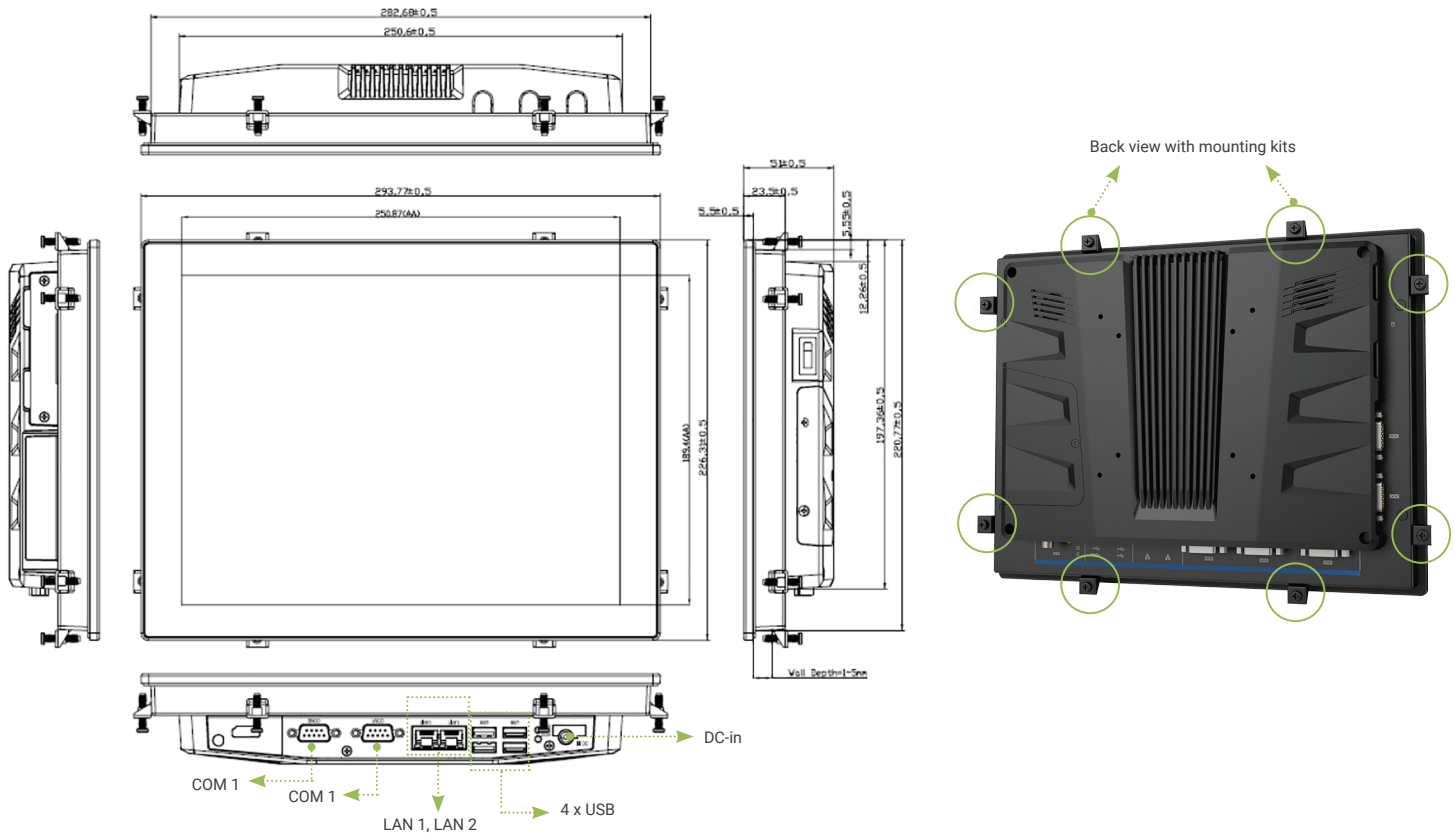
- Onboard Intel® Celeron® SoC Processors J1900 BGA processor
- Full Flat Front Panel with Projected Capacitive Touch Supports Multi Touch
- One 204-pin DDR3L SODIMM Socket Supports Up to 8GB DDR3L 1333 SDRAM
- 4 USB, 2 COM
- Dual Intel I211AT Gigabit LAN
- Wide Voltage +12V ~ +26V Input, ErP Power
- Available Expansion for Audio, USB, COM, HDMI, PCIe, GPIO, CAN Bus
- IP65 Compliant Front Panel, IP41 Rear Box
- With Panel Mount kits included
- TPM 1.2 Function (Optional)



Specifications

System	
CPU	Intel® Celeron® J1900 4-Core 2.0GHz processor
I/O Chip	EC ITE IT8528E
System Memory	1 x 204-Pin DDR3L 1333MHz SO-DIMM up to 8 GB
Watchdog Timer	H/W Reset, 1sec. ~ 65535sec./1sec.step
H/W Status Monitor	Monitoring CPU & System Temperature and Voltage
Expansion	1 x Mini PCIe Support mSATA 1 x 80-pin IET interface
Storage	1 x 2.5" Drive Bay (7mm HDD Restricted)
OS Information	Win 7, Win 8.1, Win 10, Linux
Panel	
LCD Size	12.1", 4:3, XGA
Resolution	1024x768
Pixel Pitch	0.240mm(H) x 0.240mm(V)
Luminance	600 Cd/m2
Contrast Ratio	700
Viewing Angle	80 (U), 80 (D), 80 (L), 80 (R)
Response Time	16ms
Backlight	LED
Touch Type	Projective Capacitive Multi-Touch up to 10 points
Touch Light Transmission	89%
Touch Controller	USB touch (EETI)
Display	
Chipset	Intel® Valleyview SoC Integrated Graphics Supports dual display (Optional)
Resolution	HDMI: Max. resolution 1920x1200 @ 60Hz (Optional by IET module)
Audio	
Chipset	Realtek ALC892
Speaker Output	2 x 0.6W
Ethernet	
Chipset	2 x Intel® I211AT
Interface	10/100/1000 Base-Tx GbE compatible
LAN Port	2 x RJ-45
I/O	
USB	1 x USB 3.0, 3 x USB 2.0
SATA	1 x SATA II
COM Port	1 x RS-232/422/485, 1 x RS-232
Other	3 x Knockouts for Antenna Mounting

Power Requirement	
Power Connector	Lockable DC Jack
Power Type	AT/ATX (ATX is default setting)
Power Requirement	+12V ~ +26V
Adapter	Input: 100 ~ 240Vac/ 50 ~ 60Hz Output: 60W Adapter (12V @ 5A Adapter) AC-DC Adapter
Mechanical and Environment	
Operating Temp	-10°C ~ 50°C (-14°F ~ 122°F)
Storage Temp	-20°C ~ 60°C (-4°F ~ 140°F)
Operating Humidity	0% ~ 90% Relative Humidity, Non-condensing
Weight	5.5 lbs / 2.5 Kgs
Dimension	11.5" x 6.89" x 2.03" (292.86 x 225.4 x 51.5 mm)
Mounting Kit	Wall / Stand / VESA 75mm x 75mm, 100mm x 100mm
IP Rating	Front IP65 Rear IP41
Vibration Test	With SSD/mSATA : 3Grms, IEC 60068-2-64, Random, 5 ~ 500Hz, 1hr/axis
Shock Test	Operating with SSD/CFast/mSATA : MIL-STD-810G, Method 516.6, Procedure I, functional shock=20G
System Fan	Fanless
Construction - Front	Metal with Cover lens
Construction - Rear	Black Diet Casting
Certification	CE FCC Class B



Ordering Info

ARC-1209-B-J1900	Intel Celeron® J1900 4-Core 2.0GHz/2GLAN/2COM/4USB/12V Adaptor Barebone Panel PC
ACC-ARC-USB	4 x USB 3.0 Kit for ARC Series
ACC-ARC-AUDIO	HDMI + 5.1 CH Audio Kit for ARC Series
ACC-ARC-MPCIIE	HDMI + MPCIE w/SIM Kit for ARC Series
ACC-ARC-COM-1R	2 x Isolated RS-232 Kit for ARC Series
ACC-ARC-COM-2R	3 x RS-232 Kit for ARC Series
ACC-ARC-COM-3R	2 x RS-232 + USB Kit for ARC Series
ACC-ARC-COM-4R	2 x RS-232 + LAN Kit for ARC Series
ACC-ARC-GPIO	12-bit GPIO + 2-pin CAN Bus Kit for ARC Series
ACC-ARC-OBDDII-1R	OBDDII - CAN Bus Kit for ARC Series (OBDDII/EOBD for Small Vehicle)
ACC-ARC-OBDDII-2R	OBDDII - CAN Bus Kit for ARC Series (J1939/J1708 for Large Vehicle)
ACC-ARC-OBDDII-3R	OBDDII - CAN Bus Kit for ARC Series (ISO15765-4 for Special Large Vehicle)

* All product specifications and images are subject to change without notice. Last update: 7/31/2018



BCM Advanced Research

11 Chrysler, Irvine, CA 92618 USA
An industry leader in industrial motherboards & embedded computing

www.bcmcom.com

BCMSales@bcmcom.com
(949) 470-1888